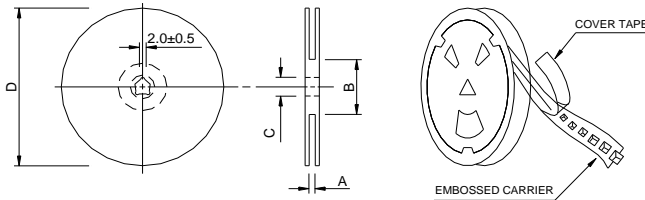


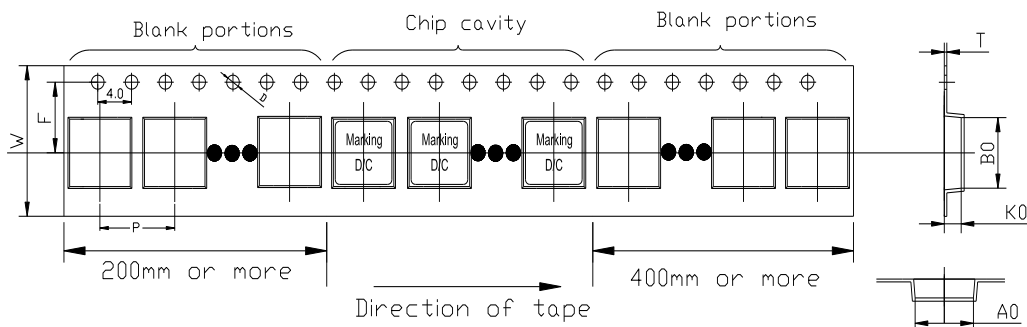
Packaging Information

(1) Reel Dimension



| Type | A(mm) | B(mm) | C(mm) | D(mm) |
|----------|-----------|-------|-------------|-------|
| 13"x16mm | 16.4+2/-0 | 100±2 | 13+0.5/-0.2 | 330 |

(2) Tape Dimension

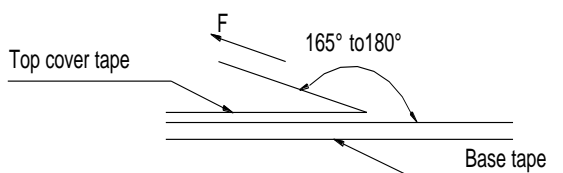


| Ao(mm) | Bo(mm) | Ko(mm) | P(mm) | W(mm) | F(mm) | T(mm) | D(mm) |
|---------|---------|---------|----------|--------|---------|----------|---------|
| 7.6±0.1 | 7.3±0.1 | 4.3±0.1 | 12.0±0.1 | 16±0.3 | 7.5±0.1 | 0.35±0.1 | 1.5±0.1 |

(3) Packaging Quantity

| Size | Reel |
|-------------|------|
| JRPI 0604FV | 800 |

(4) Tearing Off Force



The force for tearing off cover tape is 10 to 130 grams in the arrow direction under the following conditions (referenced ANSI/EIA-481-D-2008 of 4.11 standard)

| Tearing Speed mm | Room Temp. (°C) | Room Humidity (%) | Room atm (hPa) |
|---------------------|--------------------|----------------------|-------------------|
| 300±10% | 5~35 | 45~85 | 860~1060 |